

Cat.6A Keystone Jack STP, 180°, Toolless, Standard type

Art no.: NK4001

Technical Features

Category 6A Class EA 10G 500 MHz

ISO/IEC 11801, DIN EN 50173-1, TIA/EIA 568-C.2 and IEC 60603-7-51 Ed.1

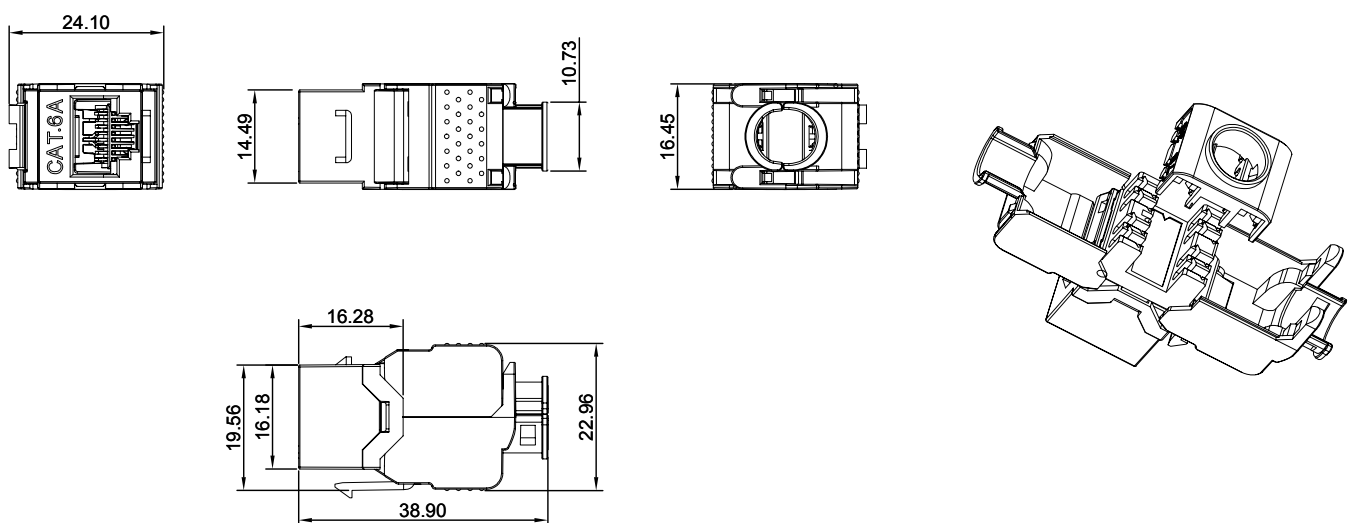
AWG 22–24, T568A/B

Strain relief with 360° shielding support

Fully shielded diecast housing

Supports PoE

Technical Drawings



NK4001



4 052792 026818

Made in China

www.logilink.com



RoHS
compliant

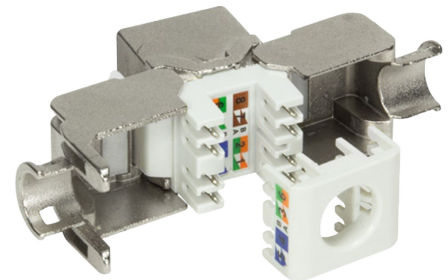
*The specifications and pictures are subject to change without prior notice.
*All trade names referenced are the registered trademarks of their respective owners.

Package Content

Cat.6A Keystone Jack STP, 180°, Toolless, Standard type x 1

Packaging Information

Packing Dimension	42 x 27 x 20mm
Packing Weight	0.04kg
Carton Dimension	530 x 320 x 230mm
Carton Q'ty	250pcs
Carton Weight	10.6kg



NK4001



4 052792 026818

Made in China

www.logilink.com



RoHS
compliant

*The specifications and pictures are subject to change without prior notice.
*All trade names referenced are the registered trademarks of their respective owners.