



Gravity I3

CPU Cooler

Features :

- **Perfect ratio aluminum extrusion heatsink for better heat dissipation.**
- **Optimized solution for low power processors**
- **Compatible with Intel LGA 1700 socket**

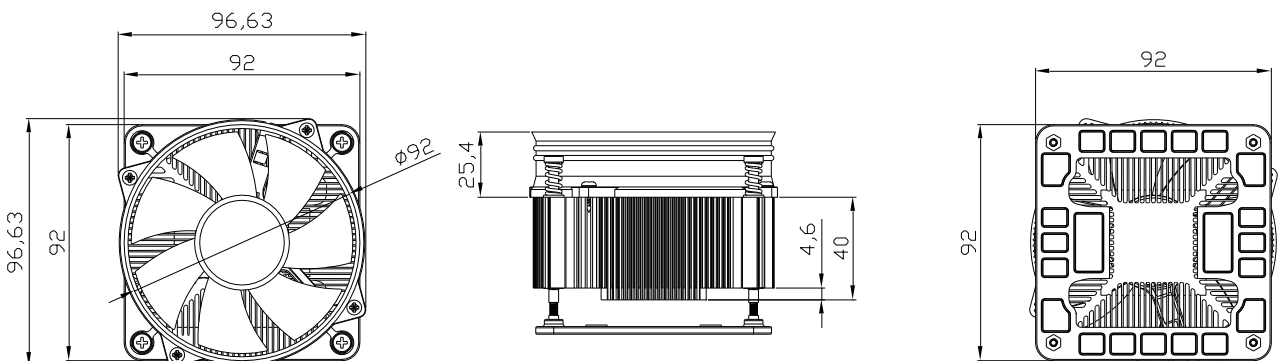


Specification :

Unit :mm

P/N	CL-P094-AL09WT-A
Compatibility	Intel LGA 1700
Dimension	65.4 H * 96.6 W * 96.6 L mm
Heatsink Material	Aluminum
Fan Dimension	Ø92 x 25 mm
Fan Speed	1200~3500 RPM
Rated Voltage	12 V
Start Voltage	6 V
Rated Current	0.25V
Power Input	3A
Air Flow	56.84 CFM
Air Pressure	3.01 MM-H2O
Noise	36.5 dBA
Life Time	40,000 hours
Pin Connect	4 pin
Cooling Power	95 W

Dimension :

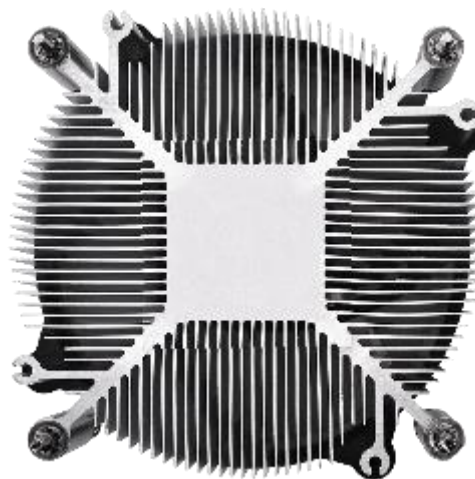


Thermaltake Gravity I3

Angle View :



Top View



Bottom View



Side view



application



Intel LGA 1700 socket