



TOUGHAIR 310

CPU Cooler



Support LGA1700

User manual



TOUGHAIR 310



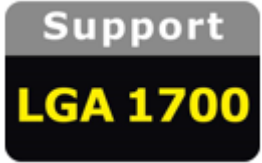
TOUGHAIR 310

CPU Cooler

Spec :

Unit :mm

P/N	CL-P074-AL12BL-A
Compatibility (CPU Socket)	Intel LGA 1700/1200/1156/1155/1151/1150 AMD AM5/AM4/AM3+/AM3/AM2+/AM2/FM2/FM1
Dimension	123.6 x 71.7 x 159.5 mm (L x W x H)
Heatsink Material	Aluminum Fins Copper Heatpipes
Heatpipe	Φ6mm x 4 pcs
Fan Dimension	120 x 120 x 25 mm (L x W x H)
Fan Quantity	1pcs
Fan Speed	PWM 500 ~ 2000 RPM
Rated Voltage	12V
Start Voltage	6.0 V
Rated Current	0.48 A
Power Input	5.76 W
Air Flow.	58.35 CFM
Air Pressure.	2.41 mm-H2O
Acoustical Noise.	23.6 dBA
Life Time	40,000 hours
Pin Connect	2510 - 4Pin
Cooling Power	170 W



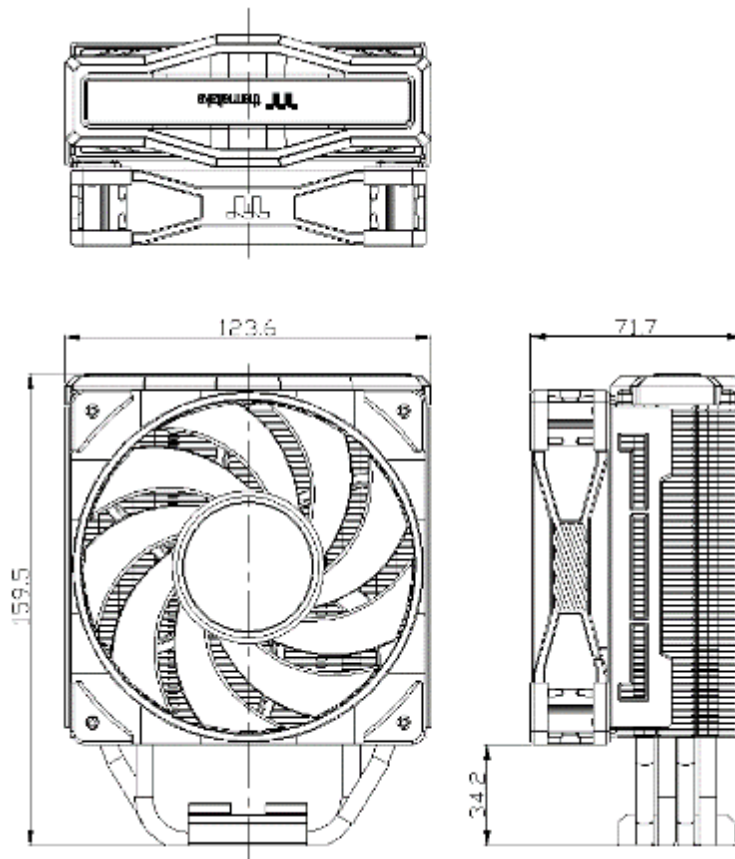
Features :

- Single Tower design
- Optimized 120 mm high static pressure Fan for silent operation
- 4 x Ø6 mm high performance U-shape copper heatpipes
- High performance thermal grease included
- Universal Intel/ AMD socket compatibility

Intel : LGA 1700/1200/1156/1155/1151/1150

AMD : AM4/AM3+/AM3/AM2+/AM2/FM2/FM1

Dimension :



Thermaltake TOUGHAIR 310

Angle View :



Front View



Rear View



Top View



Bottom View



Fan



4 Heat pipe

Thermaltake TOUGHAIR 310

Features :



**Heat-pipes Direct Touch
Technology**

4 Heat pipe to TDP170W



120 mm fan

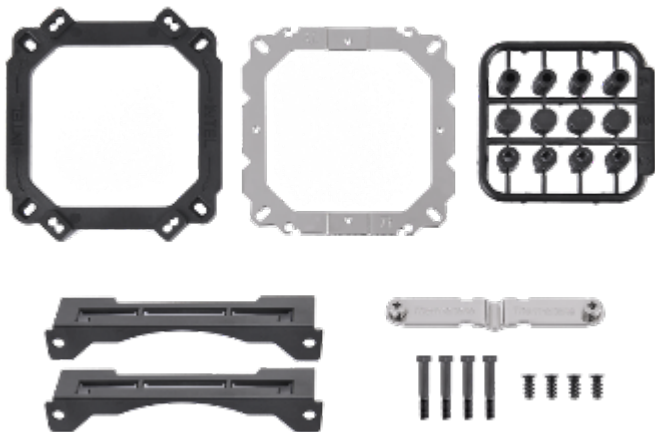
High static pressure and
low vibration design

Features :



Application

Non-interference cooling
never interfere the
RAM area



Universal sockets
compatibility

Support LGA1700

User manual



TOUGHAIR 310

Thermaltake TOUGHAIR 310



TOUGHAIR 310

CPU Cooler



Support LGA1700

User manual



TOUGHAIR 310