



Cat.6 Wall Outlet

Technical Features

Category 6 Class E 250 MHz

TIA/EIA 568B.2-1

LSA Terminal Code T568 A/B, for AWG22-24 Solid Cable

2 shielded RJ45 jacks 40° angled

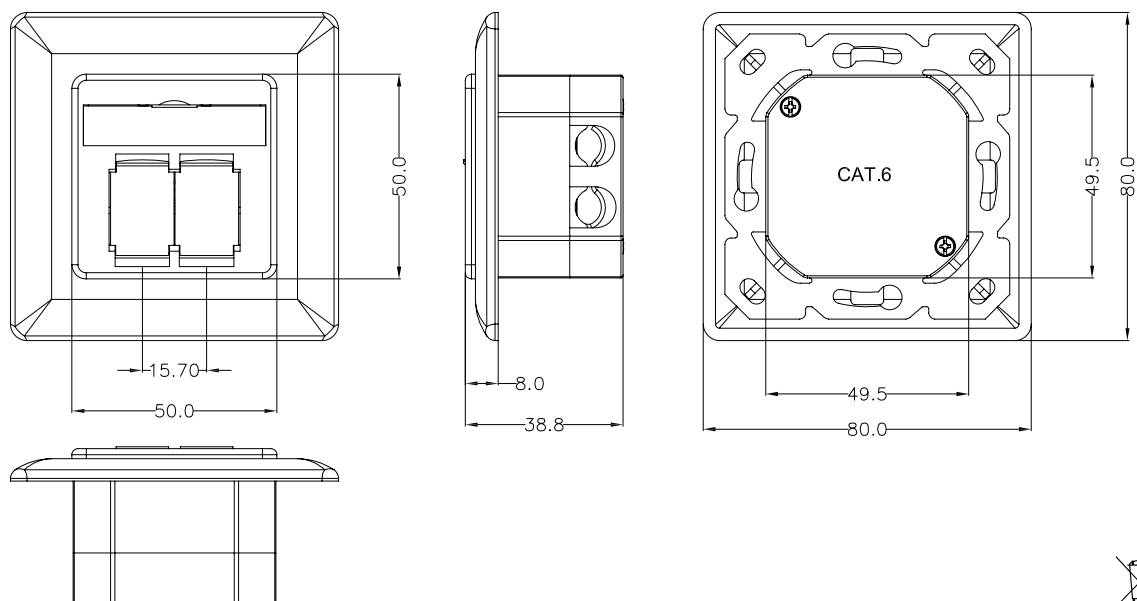
Vertical cable entry, Flush Mount Installation (UP)

Fully shielded housing

Supports PoE, PoE+ and PoE++

Suitable surface back box: NP0221 or NP0223

Technical Drawing



Art no.	Color	EAN Code
NP0023V	RAL9010 Pure White	4052792028614
NP0024V	RAL9003 Signal White	4052792028621

Package Content

Cat.6 Wall Outlet x1

Packaging Information

Packing Dimension	80 x 80 x 40mm
Packing Weight	0.25kg
Carton Dimension	365 x 365 x 300mm
Carton Q'ty	64pcs
Carton Weight	17.6kg

