

## Cat.6A Keystone Jack STP, 180°, Toolless, Slim type

Art no.: NK4003

### Technical Features

Category 6A Class EA 10G 500 MHz

ISO/IEC 11801 and TIA/EIA 568C.2

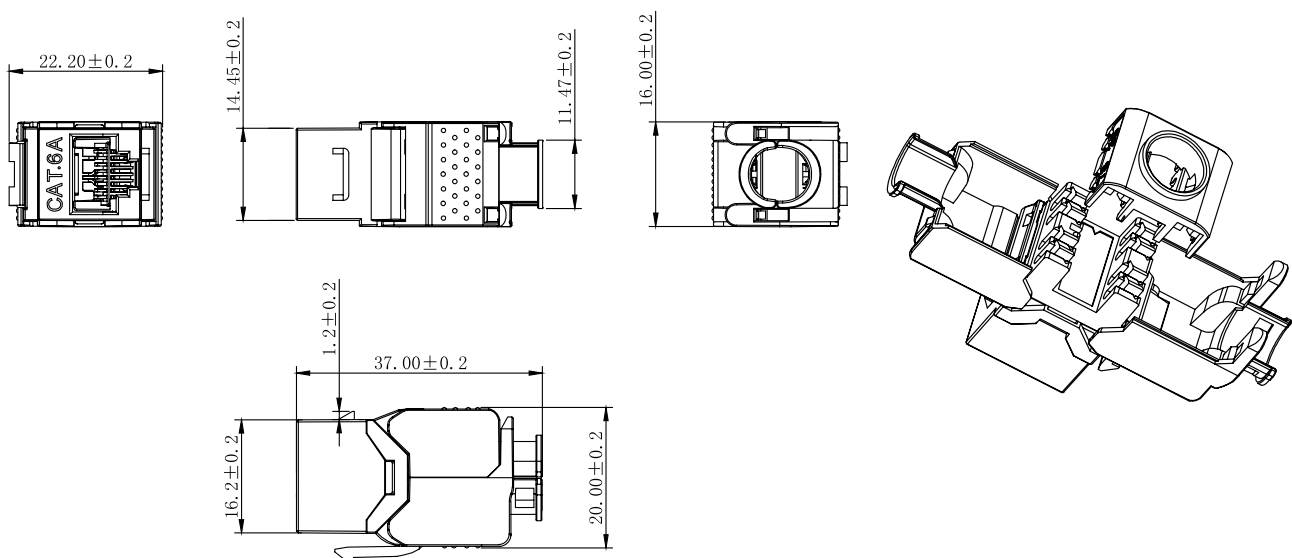
For 22-26AWG (0.40-0.65mm) cable

Strain relief with 360° shielding support

Slim solid space-saving housing

Supports PoE, PoE+ und PoE++

### Technical Drawing



NK4003



4 052792 027556

Made in China

[www.logilink.com](http://www.logilink.com)



RoHS  
compliant

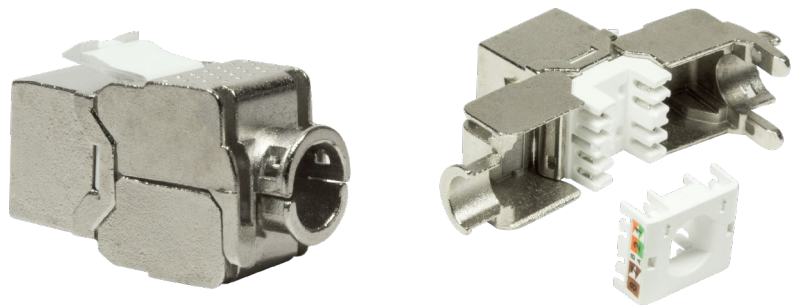
\*The specifications and pictures are subject to change without prior notice.  
\*All trade names referenced are the registered trademarks of their respective owners.

## Package Content

Cat.6A Keystone Jack STP, 180°, toolless, Slim type x 1

## Packaging Information

Packing Dimension	120 x 80mm
Packing Weight	0.022kg
Carton Dimension	375 x 291 x 75mm
Carton Q'ty	250pcs
Carton Weight	7kg



NK4003



4 052792 027556

Made in China

[www.logilink.com](http://www.logilink.com)



RoHS  
compliant

\*The specifications and pictures are subject to change without prior notice.  
\*All trade names referenced are the registered trademarks of their respective owners.