

Thermaltake TOUGHAIR 510



# *TOUGHAIR 510*

**CPU Cooler**



**Support LGA1700**

**User manual**



TOUGHAIR 510



# TOUGHAIR 510

## CPU Cooler

Spec :

Unit :mm

P/N	CL-P075-AL12BL-A
Compatibility (CPU Socket)	Intel LGA 1700/1200/1156/1155/1151/1150 AMD AM5/AM4/AM3+/AM3/AM2+/AM2/FM2/FM1
Dimension	123.6 x 98.8 x 159.5 mm ( L x W x H)
Heatsink Material	Aluminum Fins Copper Heatpipes
Heatpipe	Φ6mm x 4 pcs
Fan Dimension	120 x 120 x 25 mm ( L x W x H)
Fan Quantity	2 pcs
Fan Speed	PWM 500 ~ 2000 RPM
Rated Voltage	12V
Start Voltage	6.0 V
Rated Current	0.48 A
Power Input	5.76 W (one fan )
Air Flow.	58.35 CFM (one fan )
Air Pressure.	2.41 mm-H <sub>2</sub> O (one fan)
Acoustical Noise.	23.6 dBA
Life Time	40,000 hours
Pin Connect	2510 - 4Pin
Cooling Power	180 W

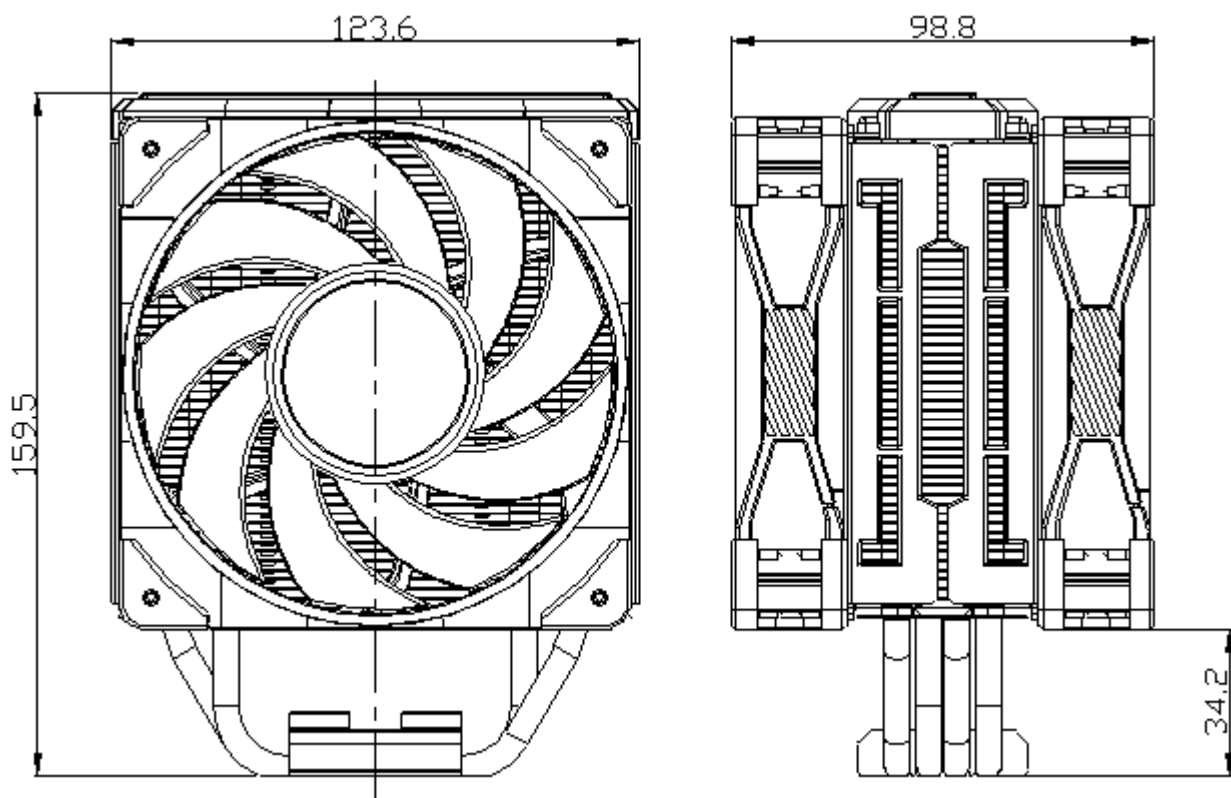
## Features :

- Single Tower design
- Optimized 120 mm high static pressure Fan for silent operation
- 4 x Ø6 mm high performance U-shape copper heatpipes
- High performance thermal grease included
- Universal Intel/ AMD socket compatibility

Intel : LGA 1700/1200/1156/1155/1151/1150

AMD : AM4/AM3+/AM3/AM2+/AM2/FM2/FM1

## Dimension :



# Thermaltake TOUGHAIR 510

## Angle View :



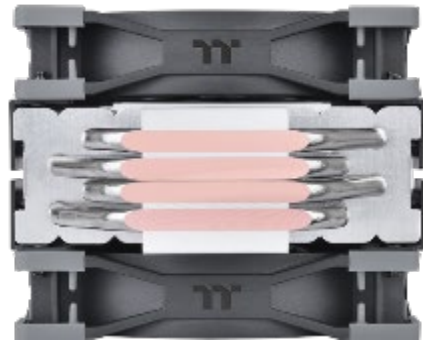
Front View



Rear View



Top View



Bottom View



Fan



4 Heat pipe

## Features :



**Heat-pipes Direct Touch Technology**

4 Heat pipe to TDP180W



**120 mm fan**

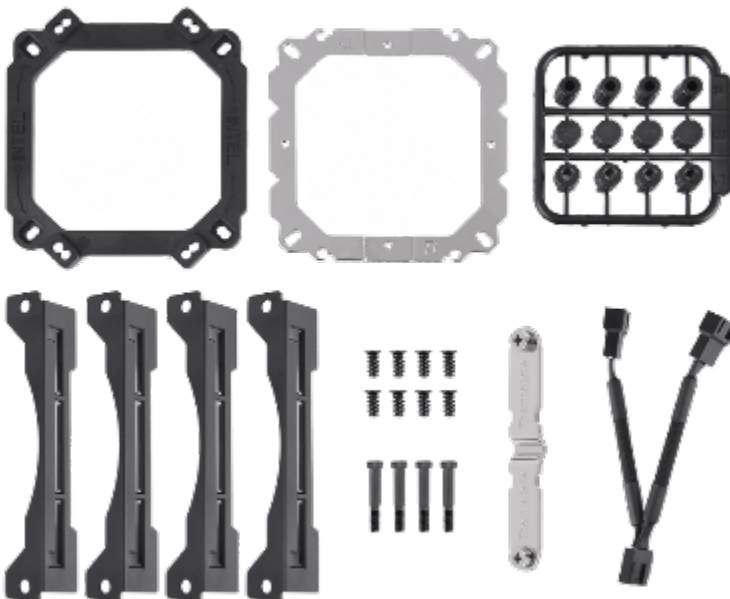
High static pressure and low vibration design

## Features :



## Application

Non-interference cooling  
never interfere the  
RAM area



Universal sockets  
compatibility

Support LGA1700

User manual



TOUGHAIR 510

Thermaltake TOUGHAIR 510



# *TOUGHAIR 510*

**CPU Cooler**



**Support LGA1700**

**User manual**



TOUGHAIR 510